



电话(TEL)
0573-83225888-503

网址(Http)
www.yattool.com

名称/料号	说明书/8458-5461021-001	颜色					K
制作日期	2015-3-27	专 色					
尺 寸	A5						
运用软件	PDF						
客 户	UK005	页 数	6张A5纸				
材质,表面处理	70g双胶纸	备 注	黑白印刷				
设计人员	张妹珍						

COBRA

MODEL: QS2500 (YT5461-01)

COBRA QUIET SHREDDER OWNER'S MANUAL

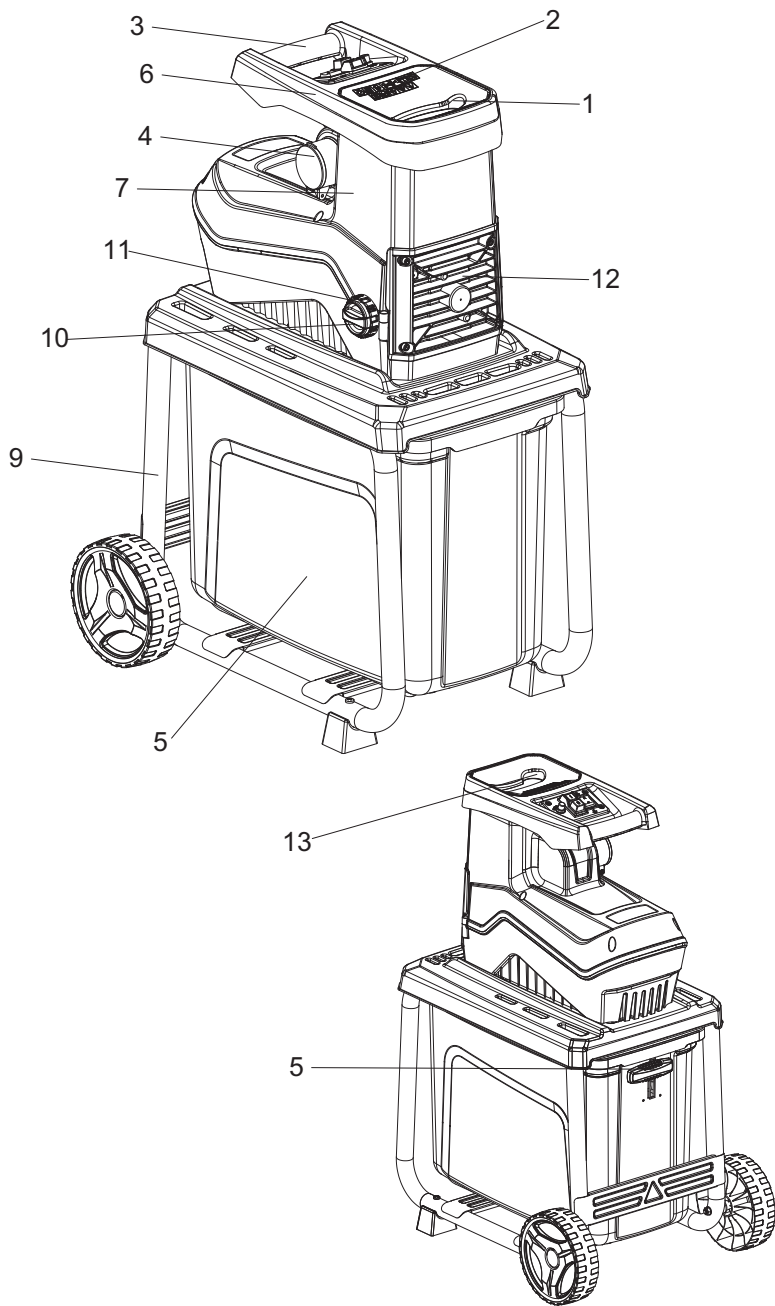


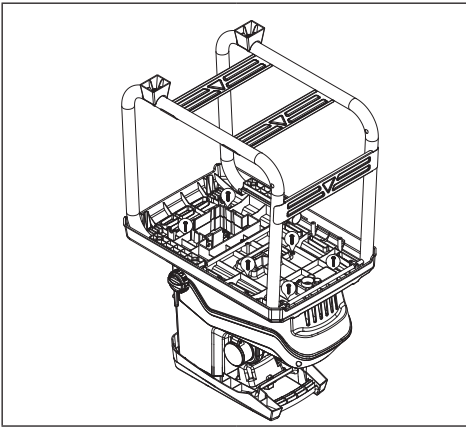
WARNING!

When using the machine the safety rules must be followed. For your own safety and bystanders please read these instructions before operating the machine. Please keep the instructions safe for later use.

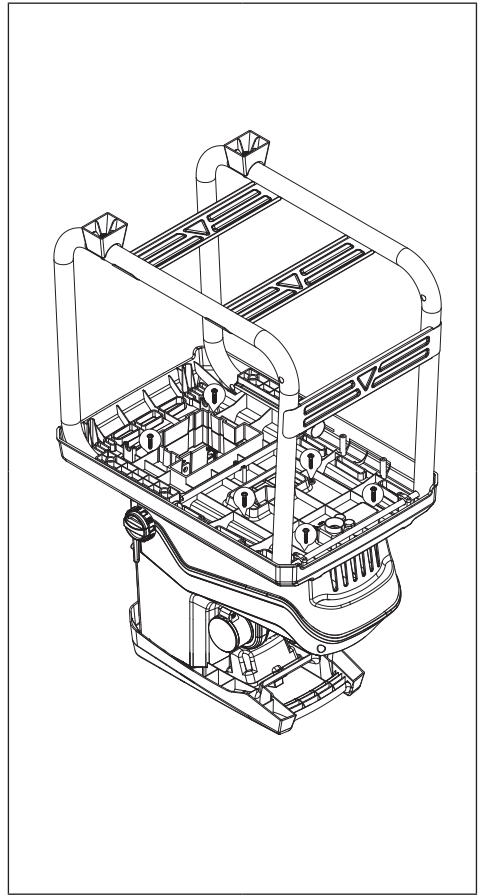
Cobra Garden Machinery

Henton and Chattell Ltd., London Road, Nottingham NG2 3HW UK

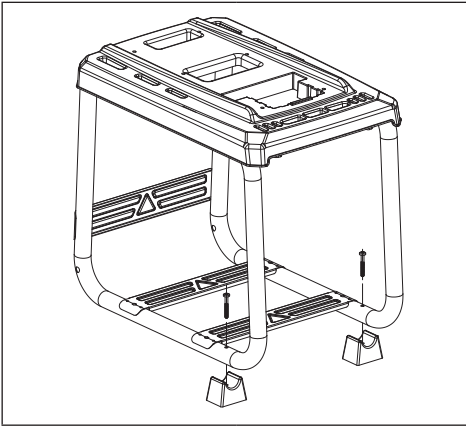




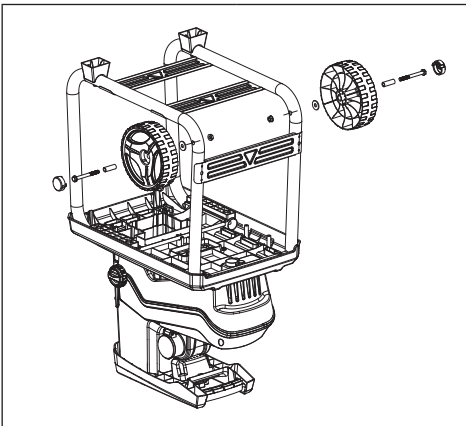
2



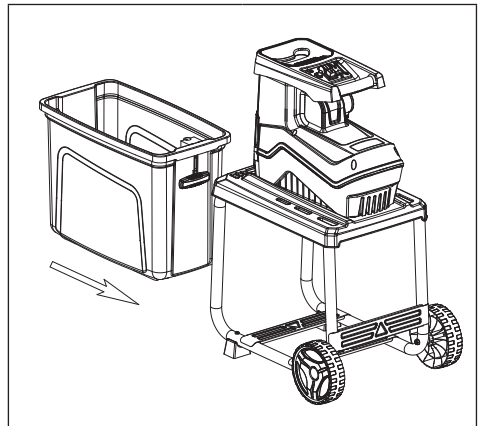
3



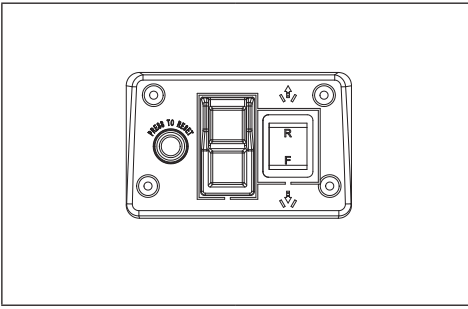
4



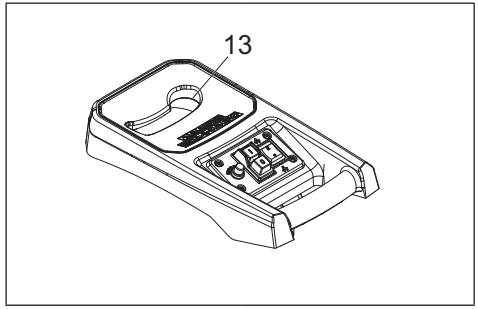
5



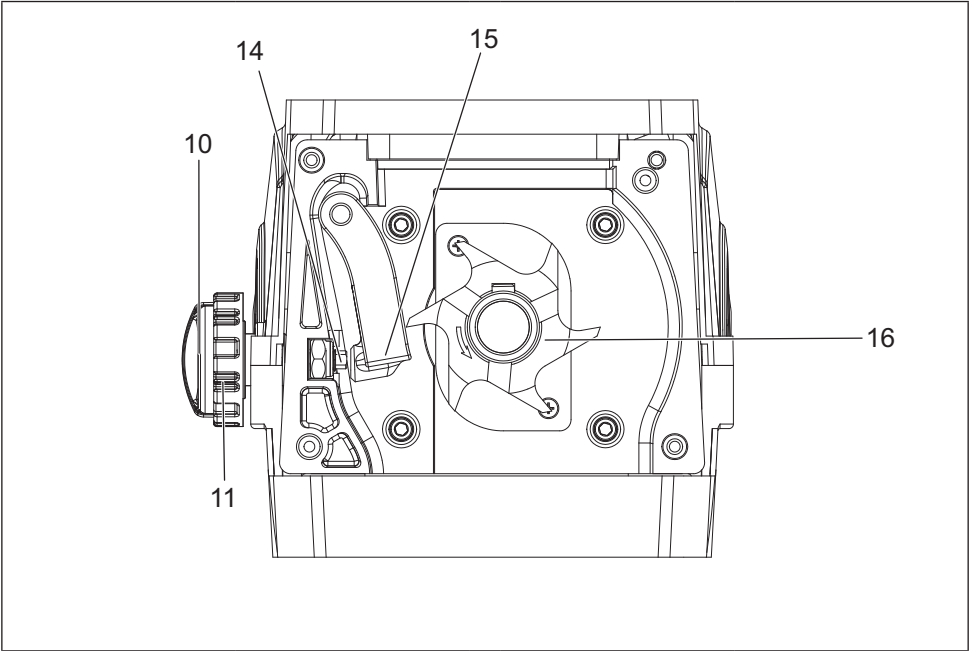
6



7



8



9

DESIGNATION OF PARTS

1	Filling hopper	7	Upper enclosure	13	Feed side
2	Power switch	8	Retaining basket	14	Screw
3	Handle	9	Base frame	15	Counter blade
4	Power supply plug	10	Adjusting knob	16	Cutting roller
5	Lock lever	11	Fixing knob		
6	Forward / Reverse switch	12	Blade cover		

TECHNICAL DATA

Model	YT5461-01
Name	Electric Shredder
Motor	AC-Motor 230-240V~50Hz
Motor rating P1 S6-40%	2,500W
Motor rating P1 S1	2,000W
Rotational speed cutting roller	40 min ⁻¹
Power switch with	overload protection; cutting and reverse function, zero-voltage initiator
Weight	26.9 kg
Max. branch diameter (only for freshly cut wood)	Max. 40 mm
Safety class	I
Protection class	IP X4

NOISE DATA

measured sound power level	89.33dB(A) K=2.39dB(A)
guaranteed LwA	95.0dB(A)

The sound intensity level for operator may exceed 80 dB (A). Wear ear protection.

SYMBOLS

The following show the symbols used for the machine. Be sure that you understand their meaning before use.



• Read instruction manual.



• Take particular care and attention.



• Switch off the motor and unplugged before servicing, cleaning, maintenance or repairing.



• Objects may be thrown out at high speed.



• Keep bystanders and pets away from danger area.



• Danger — Rotating blades. Keep hands and feet out of openings while machine is running.



• Danger — Rotating blades. Keep hands and feet out of openings while machine is running.



• Wear eye and ear protection.



- Wear protective gloves.



- Do not expose to rain or moisture.



- Turn the knob clockwise for narrower clearance / turn the knob counterclockwise for wider clearance



- Open the blade cover to adjust the blade or clean the wood.



- Wait until all the machine parts stop completely.



- Do not use the machine as a step.



- Only for EU countries
Do not dispose of electric equipment or battery pack together with household waste material! In observance of European Directive 2002/96/EC on waste electric and electronic equipment, 2006/66/EC on batteries and accumulators and waste batteries and accumulators and their implementation in accordance with national laws, electric equipment and battery pack that have reached the end of their life must be collected separately and returned to an environmentally compatible recycling facility.

SAFETY WARNINGS

READ CAREFULLY BEFORE USE KEEP INSTRUCTION MANUAL FOR FUTURE REFERENCE



Do not start to operate the machine until you have read these operating instructions. Observe all the instructions given, and install the machine as described.

Intended use of the machine

- The garden shredder is intended for shredding following items:
 - All types of branches up to maximum diameter of the machine's capacity (depending on the type and condition of wood)
 - Garden refuse such as withered plants or wet weed which has been laid some days (Feed them alternating with branches.)
- The garden shredder is intended for private use only, and not for commercial use. Do not use it in public places either.

For public low-voltage distribution systems of between 220 V and 250 V.

Switching operations of electric apparatus cause voltage fluctuations. The operation of this device under unfavorable mains conditions can have adverse effects to the operation of other equipment. With a mains impedance equal or less than 0.45 Ohms it can be presumed that there will be no negative effects. The mains socket used for this device must be protected with a fuse or protective circuit breaker having slow tripping characteristics.

General Instructions

- Read this instruction manual to become familiar with handling of the machine. Users insufficiently informed will risk danger to themselves as well as others due to improper handling.
- Do not lend the machine to people who have unproven to be experienced.
- When lending the machine, always attach this instruction manual.
- The electric shredder is not intended for use by persons with reduced physical, sensory or mental capabilities, or lack of experience and knowledge. Young children should be supervised to ensure that they do not play with the machine. Do not allow children to operate this equipment.
- Operate only if you are in good physical condition. Perform all work calmly and carefully. The user is responsible for all safety of persons and damages around the operating area.
- Never use this machine after consumption of alcohol or drugs, or if feeling tired or ill.
- Use the machine in accordance with these instructions, considering the working conditions and the application. Unintended use of the machine could result in a hazardous situation.
- Never alter the machine, including safety devices such as interlock device. This will endanger your safety.
- National or local regulation can restrict the handling of the machine.
- Stay alert. Watch what you are doing. Use common sense. Do not operate machine when you are tired.

Personal protective equipment

- Dress Properly. The clothing worn should be functional and appropriate, i.e. it should be tight-fitting but not cause hindrance. Do not wear either jewelry or clothing which could become entangled in to machine. Wear protecting hair covering to contain long hair.
- Always wear ear protections to avoid hearing loss.
- Wear protective glasses or goggles to protect eyes from debris thrown from the filling hopper.
- Wear protective groves to prevent injury to fingers.
- Wear face mask when the dusk is substantive, such as shredding dry branches, hedges with leaves.
- When using the machine, always wear sturdy shoes with a non-slip sole. This protects against injuries and ensures a good footing.

Work area safety

- Keep children and bystanders away while operating the machine.
- Operate the machine in open space on a firm, level surface. Do not operate the machine close to a wall or other objects.

- Do not operate machine in explosive atmospheres, such as in the presence of flammable liquids, gases or dust. The machine creates sparks which may ignite the dust or fumes.
- Do not operate the machine on a paved or gravel surface where ejected material may result in injury.
- Keep work area clean and well lit. Cluttered or dark areas invite accidents.
- Do not expose the machine to rain or wet conditions. Water entering the machine may increase the risk of electric shock.
- Never deactivate or bypass the protective devices.
- When using the machine outdoors, always use a residual current-operated circuit-breaker (RCD) with an operating current of 30 mA or less.

Operation

- Keep your face and body away from the inlet opening.
- Never let your hands or other part of the body or clothing place inside the inlet and discharge opening, or near moving parts. It may result in serious injury.
- Do not overreach. Keep proper footing and balance at all times. This enables better control of the machine in unexpected situations. Do not stand at higher level than the base of the machine when feeding material into it.
- Always keep distance from the discharge opening during operation.
- Observe regional regulations for noise protection.
- Do not feed rock, a piece of metal, bottles or other foreign matter. Pay attention that those foreign objects are not included when you feed.
- Immediately switch off the motor and unplugged if the blade strike a foreign object or the machine starts vibrating or making noise unusually. Check the shredder for damage, and tighten any loose parts. Ask an authorized service center to repair the machine.
- Do not let the processed material accumulated in discharge opening. Otherwise it may result in kickback of material through the inlet opening.
- Switch off the motor and unplugged before:
 - Whenever leaving the machine unattended
 - Before clearing a blockage or any fault
 - Before checking, cleaning or working on the machine
 - Before making any adjustments, changing accessories or storing
 - Whenever the machine starts vibrating or making noise unusually
 - Clearing inlet or discharge opening
 - Attaching or removing retaining basket
 - Transporting.

Starting up the machine

- Before connect the plug or switch on the machine:
 - Check all the screws, nuts and other fasteners are properly secured.
 - Check guards, deflectors and screens are in place and good working condition.
 - Replace damaged or unreadable labels.
 - Make sure the filling hopper is empty.
 - Make sure the inlet and discharge opening are guarded properly.
 - Check all the parts of the machine carefully to determine if it operates properly and performs its intended function. Especially, never use the machine if the switch does not work normally.
- If the supply cord is damaged, ask authorized service center, always using genuine replacement parts, to replace it.

Electrical safety

WARNING:

- This appliance is Class I appliance. Connect with a supply socket with earth terminal. Improper earth may cause electric shock and death. Use only three-wire extension cords which have three-prong grounding-type plugs and three-pole receptacles which accept the tool's plug.
- Avoid body contact with earthed or grounded surfaces (e.g. pipes, radiators) during operation.
- Use only IEC60245 (H07RN-F) extension cable for outdoor use with splash-proofed connector. Its cross-section must be at least 1.5 mm² for cable lengths up to 25 m, and 2.5 mm² for cable lengths over 25 m.
- Voltage drop may happen when using long thin cable. If it happens the power of the machine may be reduced.
- When using the extension cable, make sure that it does not interfere, is not squeezed or bended, and the plug does not get wet.
- When using a cable reel, wind the cable completely off the reel.
- Do not abuse the cord. Never use the cord for carrying, pulling or unplugging the machine. Keep cord away from heat, oil, sharp edges or moving parts. Damaged or entangled cords increase the risk of electric shock.
- Check the extension cable regularly for damage to the insulation. Replace it if damaged.
- If the connecting cable is damaged, withdraw the mains plug immediately. A damaged cable may cause contact with live parts and electric shock.
- Never use damaged cables.
- Only plug the machine into sockets in tested electrical circuits. Check that the system voltage matches that on the rating plate.
- Do not tilt the machine during operation.
- Keep abundant distance when you put long material. It may spring back and may result in personal injury.
- Do not operate without the filling hopper.
- Do not force the machine. It does the job better and safer at the rate for which it was designed. Frequent overload may cause motor damage or fire.
- Use the right appliance. Do not use appliances for purposes not intended. Never intend to feed metal parts, glasses, stones, ceramics, plastics, thicker branches, hard wood or thick wood plates, etc.

Maintenance instructions

- Have your machine serviced by our authorized service center, always using only genuine replacement parts. Incorrect repair and poor maintenance can shorten the life of the machine and increase the risk of accidents.
- Before servicing, inspection, adjustment, storage, or to change an accessory, take following steps:
 - Shut off the power source
 - Disconnect the machine from power supply
 - Make sure that all moving parts have come to a complete stop
 - Allow the machine to cool.

- Inspect on the machine for possible damage:
 - Whether safety devices works properly for its intended function
 - Whether all the moving parts work smoothly and adequately
 - Whether all parts are not damaged and properly installed
 - Replace or repair by our authorized service center if there are any damaged parts.
- Pay extreme attention when servicing cutter. The cutter is able to move manually tough interlock feature of the guard functions.
- Do not clean the device with water. It may cause electrical shock.
- Wear protective gloves during maintenance or assembly work to prevent injury to fingers.
- Do not carry out maintenance or repair work other than that described in this instruction manual. Any other work must be carried out by authorized service center.
- Only use original replacement parts and accessories intended for your machine. Otherwise it may result in personal injury or damage on the machine.
- Store the machine in a dry room. Keep it out of reach of children. Never store the machine outdoors.

ASSEMBLY

CAUTION:

- Always be sure that the machine is switched off and unplugged before carrying out any work on the tool.

1. Place the upper enclosure upside down on the flat floor. And then put the base frame on it. Be careful about the direction of the part. (Fig. 2)
2. Fasten each part by tightening screws. Make sure they become perfectly stable. (Fig. 3)
3. Attach the stoppers by screw. Make sure they are fastened tightly. (Fig. 4)
4. Attach wheels as follows: (Fig. 5)
 - Attach the axis on one of the wheel.
 - Pass the axis through the holes on the leg.
 - Attach the other wheel to the axis by passing the pin through the hole on the axis. Fasten the wheel by bending the pin.
 - Attach the covers on the wheels.
5. Attach the retaining basket. And then raise the lock lever. (Fig. 6)

FUNCTIONAL DESCRIPTION

WARNING:

Before plugging the machine, always make sure that the machine is switched off. Plugging the machine with the switch on may cause an unexpected start resulting in serious personal injury.

Power Switch (Fig. 7)

CAUTION:

Do not use the machine if the switch does not turn it on and off. Have defective switches replaced by authorized service center.

To turn on the machine, push the green button.

To turn off the machine, push the red button.

LED light

The LED light indicates the status of the machine as follows:

RED color: When the machine is connected to the power supply and the machine is switched off.

GREEN color: When machine is switched on.

Flickering GREEN color constantly: When the machine is blocked during operation.

Flickering RED color: When the machine can not recover automatically. Clear the problem manually when it happens.

Unintentional restart proof

The machine switches off automatically when power failure happens. To restart, push the green button again.

Overload protection

The motor is equipped with an overload protection. When overloaded, the machine acts as follows:

- The blade runs reverse for two or three seconds to try to push the shredded material back out.
- The blade runs forward again.
- If the material is still clogged after this attempt for three times, the machine stops with LED light flickering in red.

When it happens perform the following steps:

- Turn off the machine.
- Wait until the blades stop completely.
- Remove the clogged material.
- Turn the shredder on again after about 5 minutes, and feed easier material.
- If you cannot turn on the machine after this waiting time, refer to "Trouble shooting".

Forward / Reverse switch

CAUTION:

Switch off the shredder before changing the forward / reverse switch.

Position ↓

The blades rotate in forward direction.

Position ↑

The blades rotate in reverse direction to release jammed material.

When you change the direction into ↑ (reverse), keep pushing the green button of the power switch to rotate the blades. The shredder automatically stops when you release the power switch.

NOTE:

- Several repetitions of reverse and forward operations may be required to shred a large object.

CAUTION:

- Always use a hook or a stick to remove jammed objects to prevent accidents.
- Always wait until the shredder stops completely before restart.

Retaining basket

CAUTION:

- Switch off and unplug the machine before attaching or removing the retaining basket.
- Check the functionality of the interlock feature every two hours for safe operation.
- Never attempt to override the interlock feature of guarding.

Lock lever:

- Upper position → Retaining basket is locked.
- Lower position → Retaining basket is unlocked.
The device does not switch on because of safety function.

The machine is not switched on if the lock lever is unlock position. The machine automatically stops if the retaining basket is unlocked during operation.

Blade cover

CAUTION:

- Make sure that the machine is switched off and unplugged before opening the blade cover.
- Wear protective groves before opening the blade cover.
- The cutter does not stop immediately after switch off. Wait until all the parts stop.

In case the material clogs badly in the upper enclosure, remove them by opening the blade cover.

OPERATION

Before Operation, adjust the Adjusting Knob to make sure the Counter Blade and Cutting Roller no interference.

Switch on the tool, then need to adjust the blade: Adjust the Adjusting Knob, when hearing the cutting roller touches the counter blade. Tighten Fixing Knob, make sure the Counter Blade is fixed enough.

Set up the machine:

- On a flat, horizontal surface. Do not place the machine on paved or graveled ground.
- With a safe distance (at least 2 m) away from walls or other objects.

Before starting, make sure that:

- The connection cables are not damaged. If there is cuts or tears, stop operation and replace it immediately.
- There is no damage on the machine, and all screws are tight.
- The machine is assembled completely and correctly.

Check the mains connection:

- Make sure that the mains voltage matches the rated voltage on the nameplate and the machine is properly grounded.
- Use only extension cords with sufficient core cross-section.

The material which the shredder can process

The shredder can process following types of material:

- All types of branches up to the maximum diameter of the machine's capacity, depending on type and condition of wood
- Garden refuses such as withered plants or wet weed which has been laid some days (Feed them alternating with branches.)

The shredder can NOT process following types of material:

- Glass, metal, plastic, stones, ceramics, thicker branches, hard wood, thick wood plates, cloth, plastic bags, roots with soil.
- Garbage which is almost liquid state, e.g. kitchen garbage.

Operation: (Fig. 8)

- Feed the material into the filling hopper from the right side.
- In case of branches, twigs and wood, shred them just after they are cut. They may get very hard as they become dry.

- Remove any side shoots from branches if they are not easy to feed.
- Turn off the motor and disconnect the machine from the mains power supply before cleaning ejection opening.
- Do not let the shredded material accumulated in ejection opening. Otherwise those shredded material may block the ejection opening. Empty the retaining basket regularly.
- Do not feed material which is more than the maximum branch diameter specified in Technical data. Depending on the wood's freshness and condition, the maximum branch diameter may be smaller.
- Shredding wet garden waste results in a clog. To prevent the machine from clogging, alternate waste with wood containing material.
- Soft material or wet branches may be torn instead of being cut. Worn counter blade may also cause this problem.

Adjusting the blade clearance (Fig. 9)

For an effective operation, adjust the clearance between the counter blade and cutting roller.

Setting the clearance:

- Switch on the device.
- Turn the fixing knob counterclockwise to release the adjusting knob.
- Turn the adjusting knob clockwise slowly to place the counter blade closer to the cutting roller. Turn it until fine aluminum chips are falling from the ejection opening.
- Turn the fixing knob clockwise to lock the adjusting knob.

REVERSE SWITCH

The shredder is fitted with a Reverse switch to enable the removal of jammed material. If material becomes jammed stop the machine by pressing in the OFF button. When the machine has come to a complete stop change the direction of rotation of the machine by pressing reverse arrow of reverse switch and pressing the ON button (note that the machine will not latch ON while in reverse – the button has to be held down). When the blockage has cleared stop the machine and return the Reverse switch to its original position. Do not continue to run the machine in reverse mode as this could cause injury to the operator or damaged to the machine.

MAINTENANCE

CAUTION:

- Always be sure that the machine is switched off and unplugged before performing inspection or maintenance.
- Wear protective groves before performing inspection or maintenance.
- The cutter does not stop immediately after switch off. Wait until all the parts stop before performing any maintenance work.
- Make sure that all the tools are removed after maintenance work.
- Never use gasoline, benzine, thinner, alcohol or the like. Discoloration, deformation or cracks may result. To clean the machine, use only moist cloth and soft brush.
- Do not hose or clean the machine with high pressured water.

After each operation, perform the following maintenance:

- Check whether all the locking screws are tight (tighten if necessary).
- Lubricate metal parts to protect them against corrosion.
- Keep the vents clean and free from dust.

The cutting roller and counter blade wears out in course of time. Ask your nearest authorized service center for replacement when it is necessary.

TROUBLE SHOOTING

WARNING: Before solving troubles, switch off the machine, pull out the mains plug, and wait until the machine stops completely.

Trouble	Possible cause	Remedy
Motor does not start	No power supply	Check mains supply.
	Mains cable defective	Ask authorized service center for checking.
	Overload protection is activated	Wait until the machine cools down and press the green button.
	Safety cut-out device of the retaining basket (Retaining basket is unlocked)	Check and lock the retaining basket.
Motor sounds but does not start	Cutting roller is blocked	Turn off the device. Switch the forward/reverse switch into reverse direction. Switch on the machine until the jam has been cleared. Switch the machine off again. Turn back the direction of forward rotation.
	Capacitor fault	Bring machine to authorized service center for repairing.
Shredding material is not drawn into the shredder	Reverse rotation.	Switch off device and switch over direction of rotation selector switch.
	Shredding material caught in filling hopper	Switch off device. Switch the forward/reverse switch into reverse direction. Switch on device to release the material to be shredded, remove any foreign matter. Switch device off again. Turn back the direction of forward rotation.
	Shredding material too soft or wet	Push down with a branch
	Cutting roller worn	Adjust fixed counter blade as described under "Adjusting the blade clearance". If the cutting roller is severely worn, replace it.
Shredding material is not cut cleanly	Fixed counter blade is not adequately adjusted	Adjust the counter blade.
Device starts but blocked by even slight load, and switches off by protective motor switch soon.	Extension cable is too long or cross-section too thin. Socket is too far from mains supply or cross-section of mains cable too thin	Check the extension cable is at least 1.5 mm ² , maximum 25 m long. If using longer cable, minimum cross-section is 2.5 mm ²

ENVIRONMENTALLY FRIENDLY DISPOSAL

According to EU directive 2012/19/EU on electric and electronic equipment and its implementation into national law, all electric tools must be separately collected and environmentally friendly recycled. Alternative disposal: If the owner of the power tool does not return the tool to the manufacturer, he is responsible for proper disposal at a designated collection point that prepares the device for recycling according to national recycling laws and regulations. This does not include accessories and tools without electric or electronic components

WARRANTY

This product is warranted in accordance with legal regulations for a 24 month period effective from the date of purchase by the first user.

This product will not be covered if used in a commercial application.

This warranty covers all material or production failures, it does not include: defects from normal wear and tear, parts such as, bearings, brushes, cables, air cleaning elements, brake pad, clutch disc, tyre, wheel, recoil starter rope, belts, cutter blades, plugs, lubricant oils and grease or accessories. Damage or defects resulting from abuse, accidents or alterations, natural fading of painted or plated surfaces, sheet peeling and other natural deterioration.

Any damage that occurs from the use of non-genuine Cobra parts will not be covered.

We reserve the right to reject any claim where the purchase cannot be verified or when it is clear that the product was not maintained properly. (Clean ventilation slots, carbon brushes and serviced regularly)

Expenses incidental to the warranty claim that are not covered;

-Compensation for loss of time, commercial loss or rental costs of substitute product.

-Costs incurred for transportation to and from the dealership.

Any damage that occurs from the following will not be covered; exposure of the product to smoke and soot, chemical agents, bird droppings or other animal waste, seawater, sea breeze, salt or other environmental phenomena.

Any damage resulting from operating methods other than those indicated in the owner's manual will not be covered.

Your purchase receipt must be kept as proof for date of purchase. Your un-dismantled mower must be returned to your dealer in an acceptably clean state, accompanied by your proof of purchase.


Please Register Your Mower

If your dealer did not collect registration information from you, please take a few minutes and register your purchase with Cobra.

You can register by completing and mailing the registration card that should be in the box or by going online to: www.cobragarden.co.uk and clicking on Product Registration.



EC-DECLARATION OF CONFORMITY

EC Declaration of Conformity	
We herewith declare,	Cobra Garden Machinery Henton & Chattell Ltd, London Road, Nottingham NG2 3HW UK
That the following machine complies with the appropriate basic safety and health requirements of the EC Directive based on its design and type, as brought into circulation by us.	
In case of alteration of the machine, not agreed upon by us, this declaration will lose its validity	
Product	Electric Shredder
Machine Type:	QS2500 (YT5461-01)
Rated voltage/power	230-240V~50Hz 2500W
Measured sound power level:	89.33dB(A)
Guaranted sound power level:	95dB(A) Notified Body for EC Directive 2000/14/EC:0036 TüV Reinland LGA Products GmbH Tillystraße 2, 90431 Nürnberg, Germany
Applicable EC Directives:	2004/108/EC 2006/42/EC 2000/14/EC 2011/65/EU
Applicable Harmonized Standards:	EN 60335-1:2012 +A11 EN 13683:2003 +A2 EN 62233:2008
Authorized Signature/Date/ Place:	 2015-02-20
Title of Signatory:	Managing Director
Name and address of the person authorised to compile the technical file	Cobra Garden Machinery Henton & Chattell Ltd, London Road, Nottingham NG2 3HW United Kingdom